



WARNING DEVICES - CONVENTIONAL FIRE BELLS



FIRE BELL

DESCRIPTION

A motorised fire bell for fire alarm applications.

The fire bell's low current consumption and universally recognisable alarm sound makes it an ideal choice for numerous alarm systems.

Designed for ease of installation, it features a robust steel gong.

Units are finished in red and are available in 6 inch and 8 inch (8" is available on special order) gong sizes.

FEATURES

- Low current consumption
- Universally recognisable sound
- Diode polarised
- Approved to EN54-3
- KL-FB-24WP: Weatherproof to IP33C

APPLICATIONS

- Fire alarm
- Emergency alarm
- Lift alarm

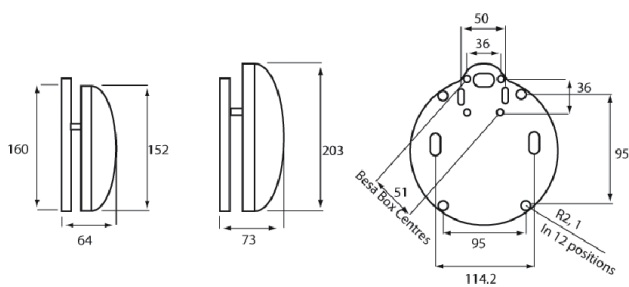


WARNING DEVICES - CONVENTIONAL FIRE BELLS

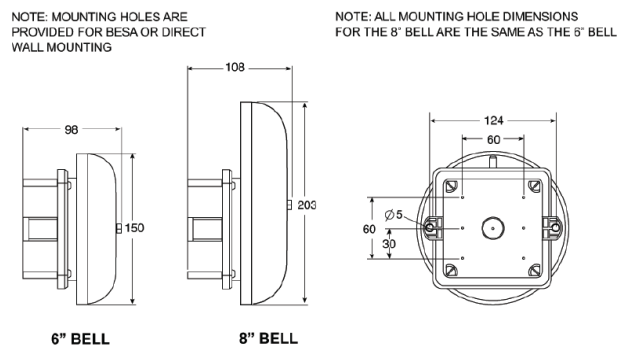
SPECIFICATIONS

IP Rating	
Indoor	IP21C
Weatherproof	IP33C
Rating	Continuous
Operating Temp	
Indoor	-10 °C to +55 °C
Weatherproof	-25 °C to +70 °C
Dome Construction	Steel
Weight	
6 Inch	0.92 kg
8 inch	1.27 kg
Compliance	
Indoor	EN54 3 Type A
Weatherproof	EN54 3 Type B
Audibility @ 1 metre	
6 Inch	Up to 95 dBA
8 Inch	Up to 98 dBA
Colour	Red
Tones	1
Voltage	19 - 28 V DC
Current	20 mA

FIRE BELL INDOOR – KL-FB-24



FIRE BELL WEATHERPROOF – KL-FB-24WP



ORDERING INFORMATION

Product Code	Product Description
KL-FB-24	Fire Bell, Red, 6" Gong, 95 dB, 24 V DC
KL-FB-24WP	Fire Bell, IP65, Red, 6" Gong, 95 dB, 24 V DC

• **DISCLAIMER:** Although the contents of our product literature have been prepared with the greatest care, Technoswitch can accept no liability whatsoever for any direct or indirect damages of any kind that may arise due to either errors or omissions in them, or amendments to products or other specifications following publication.

© Technoswitch Fire Detection (Pty) Ltd



HEAD OFFICE - JOHANNESBURG
Cussonia Park, Ridge Road, Laser Park, Johannesburg T +27 (0)11 794 9144 E info@technoswitch.co.za

DURBAN T +27 (0)31 266 8843 E info.dbn@technoswitch.co.za
CAPE TOWN T +27 (0)21 948 4575 E info.ct@technoswitch.co.za

www.technoswitch.co.za

